



**STARLED**

Illuminating the Future Through Technology

# **STAINLESS STEEL LED RECESSED DOWNLIGHT (FIXED /ADJUSTABLE)**

Specification Sheet

**Z003**

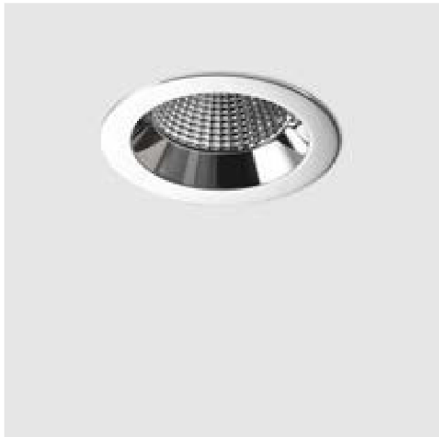
316L#SS RECESSED DOWNLIGHTS - ROUND - IP20 - IP65



Φ80-P82



Φ100-P83



Φ120-P84



Φ150-P85

316L#SS RECESSED DOWNLIGHTS - ROUND - ADJ - IP20 - IP65



Φ100-P86



Φ120-P87



Φ150-P88



- 316L# SS housing
- 3mm toughened glass diffuser
- Cut out :  $\Phi 70-75\text{mm}$
- CE/SAA/IP20/IP65
- CREE/Bridgelux COB: 3000K/4000K/6000K/CRI $\geq 80/90$
- Beam Angle: 12°/24°/36°/60°
- Input: 220-240Vac/WT:-20~+50° C

• **CODE - IP20 COLOR**

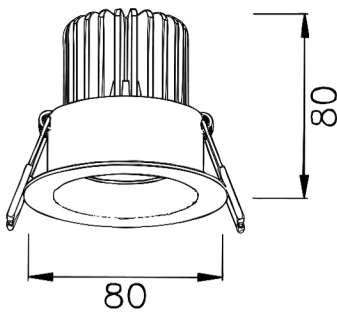
DLRSM08121220 MIRRORED  
DLRSSB08121220 BRUSHED

POWER: 1x5/10W

• **CODE - IP65 COLOR**

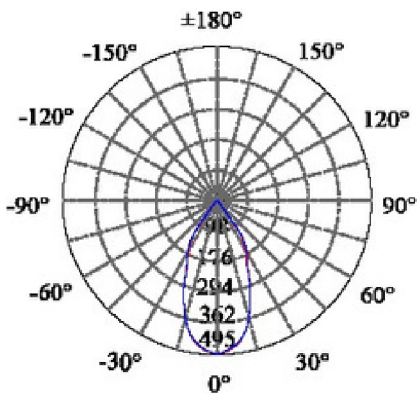
DLRSM08121265 MIRRORED  
DLRSSB08121265 BRUSHED

POWER: 1x5/10W

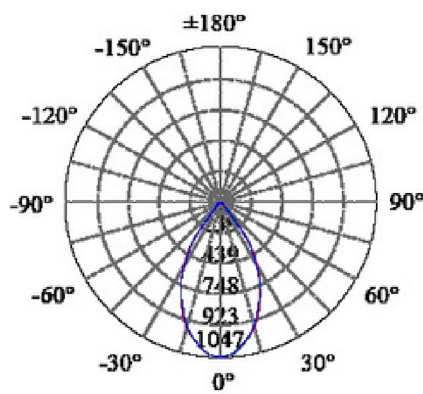


• **PHOTOMETRIC [Unit:: cd]**

1x5W - 60° - 3000K



1x10W - 60° - 3000K



• **PERFORMANCE**

1x5W - 36V - 150mA - 554lm

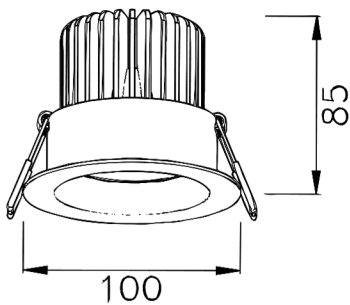
1x10W - 36V - 250mA - 1112lm



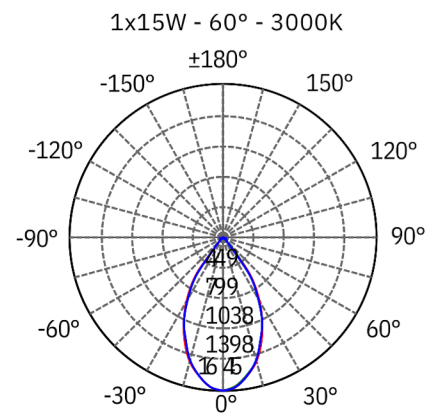
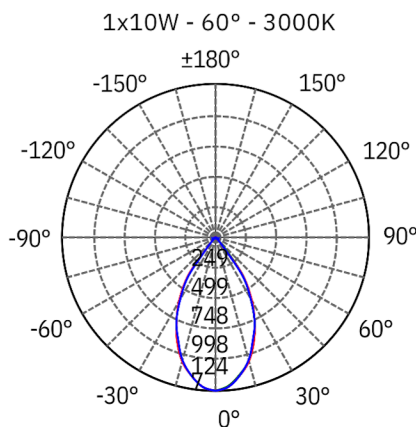
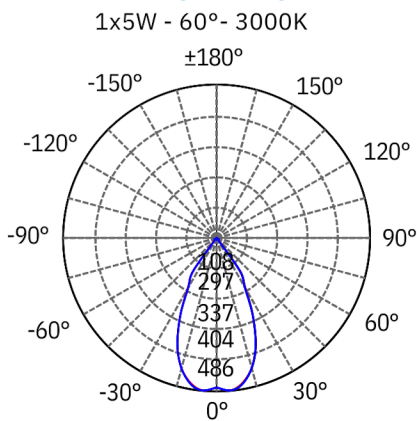
- 316L# SS housing
- 3mm t oughened glass diffuser
- Cut out :  $\Phi 90-95\text{mm}$
- CE/SAA/IP20/IP65
- CREE/Bridgelux COB: 3000K/4000K/6000K/CRI $\geq$ 80/90
- Beam Angle: 12°/24°/36°/60°
- Input: 220-240Vac/WT:-20~+50° C

- **CODE - IP20 COLOR**  
DLRSSM10131320 MIRROED  
DLRSSB10131320 BRUSHED  
**POWER:** 1x5/10/15W

- **CODE - IP65 COLOR**  
DLRSSM10131365 MIRROED  
DLRSSB10131365 BRUSHED  
**POWER:** 1x5/10/15W

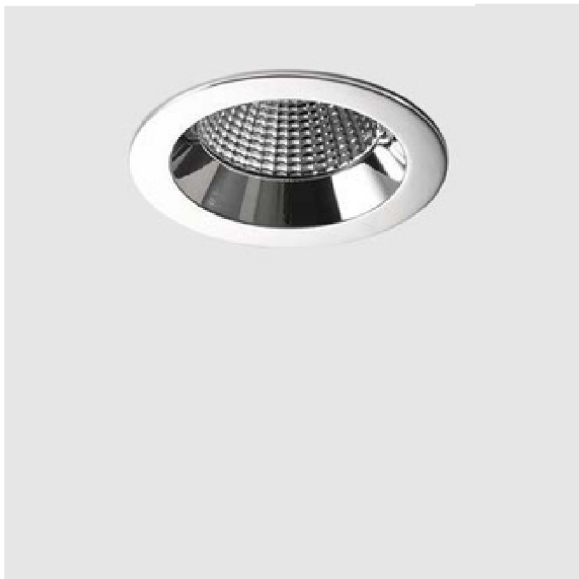


• **PHOTOMETRIC [Unit:: cd]**



• **PERFORMANCE**

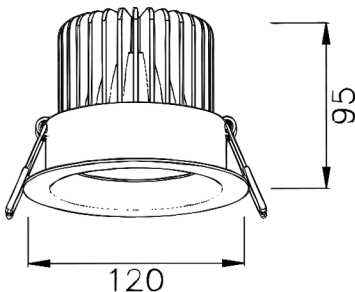
- 1x5W - 36V - 150mA - 577lm
- 1x10W - 36V - 250mA - 1152lm
- 1x15W - 36V - 350mA - 1725lm



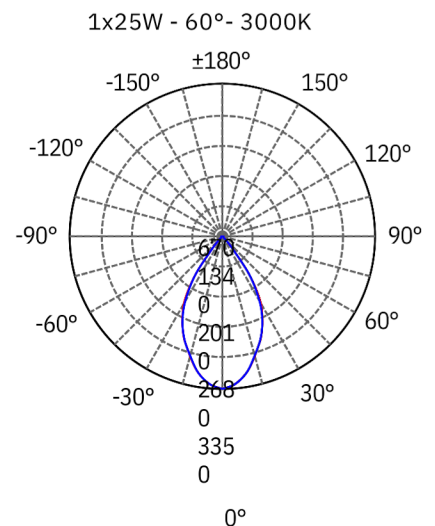
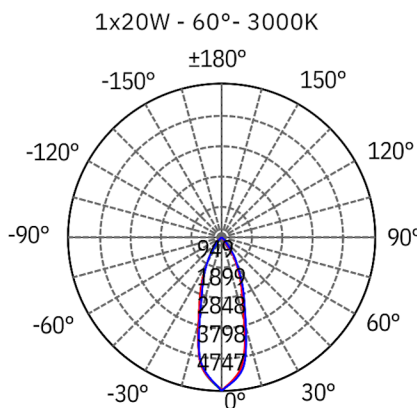
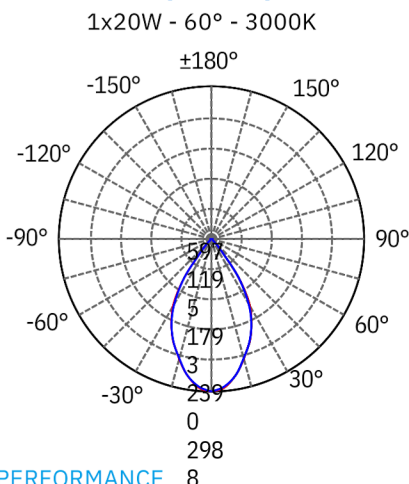
- 316L# SS housing
- 3mm toughened glass diffuser
- Cut out :  $\Phi 110-115\text{mm}$
- CE/SAA/IP20/IP65
- CREE/Bridgelux COB: 3000K/4000K/6000K/CRI $\geq 80/90$
- Beam Angle: 12°/ 24°/36°/60°
- Input: 220-240Vac/WT:-20~+50° C

- **CODE - IP20 COLOR**  
DLRSM12151520 MIRROED  
DLRSSB12151520 BRUSHED  
**POWER:** 1x10/15/20/25W

- **CODE - IP65 COLOR**  
DLRSM12151565 MIRROED  
DLRSSB12151565 BRUSHED  
**POWER:** 1x10/15/20/25W



- **PHOTOMETRIC [Unit:: cd]**



- **PERFORMANCE**  
1x10W - 36V - 250mA - 1182lm  
1x15W - 36V - 350mA - 1743lm  
1x20W - 36V - 500mA - 2385lm  
1x25W - 36V - 650mA - 2756lm



- 316L# SS housing
- 3mm t oughened glass diffuser
- Cut out :  $\Phi 140-145\text{mm}$
- CE/SAA/IP20/IP65
- CREE/Bridgelux COB: 3000K/4000K/6000K/CRI $\geq 80/90$
- Beam Angle: 12°/ 24°/36°/60°
- Input: 220-240Vac/WT:-20~+50° C

- **CODE - IP20 COLOR**

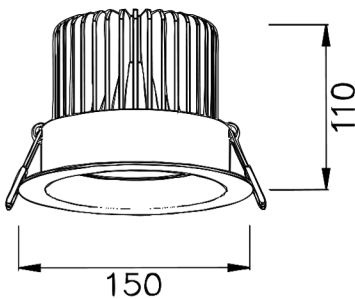
DLRSM15171720 MIRROED  
DLRSSB15171720 BRUSHED

POWER: 1x15/20/30W

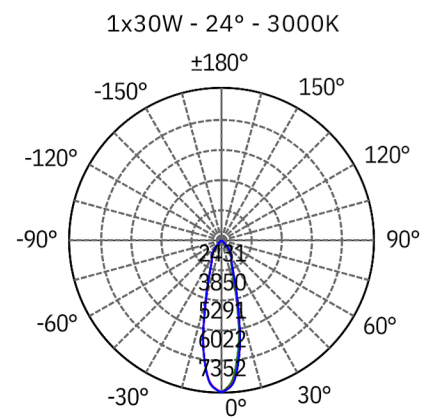
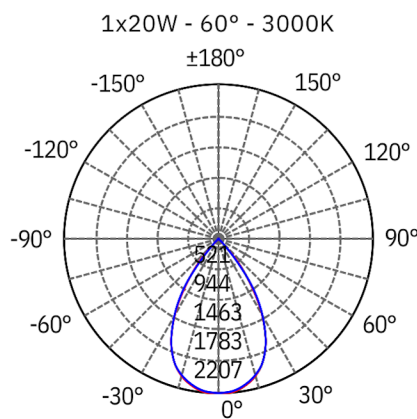
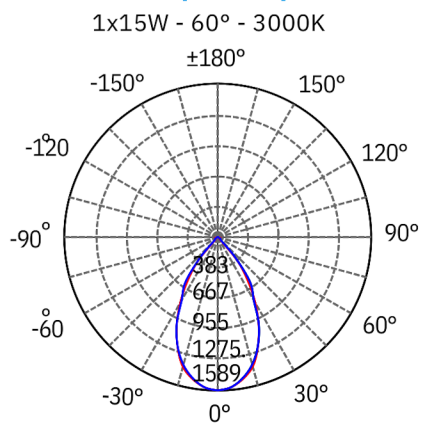
- **CODE - IP65 COLOR**

DLRSM15171765 MIRROED  
DLRSSB15171765 BRUSHED

POWER: 1x15/20/30W

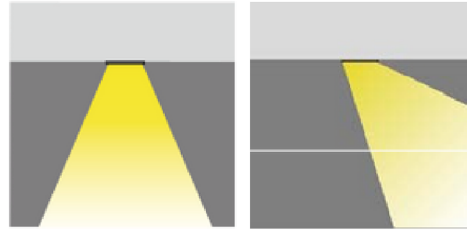


- **PHOTOMETRIC [Unit:: cd]**



- **PERFORMANCE**

1x15W - 36V - 350mA - 1723lm  
1x20W - 36V - 500mA - 2335lm  
1x30W - 36V - 750mA - 3508lm



- 316L# SS housing
- 3mm t oughened glass diffuser
- Cut out :  $\Phi 90-95\text{mm}$
- CE/SAA/IP20/IP65
- CREE/Bridgelux COB: 3000K/4000K/6000K/CRI $\geq 80/90$
- Beam Angle: 12°/24°/36°/60°
- Input: 220-240Vac/WT:-20~+50° C

• **CODE - IP20 COLOR**

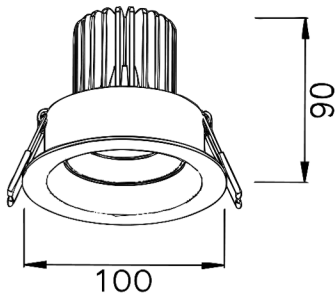
DLRADJSSM10131320 MIRRORED  
DLRADJSSB10131320 BRUSHED

POWER: 1x5/10/15W

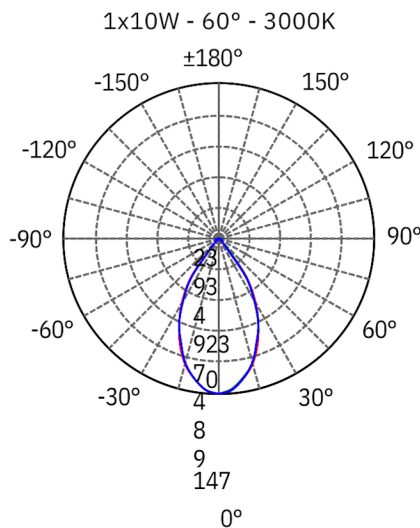
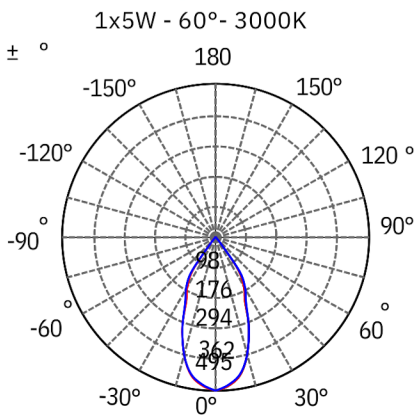
• **CODE - IP65 COLOR**

DLRADJSSM10131365 MIRRORED  
DLRADJSSB10131365 BRUSHED

POWER: 1x5/10/15W

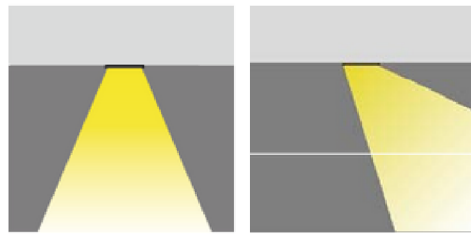
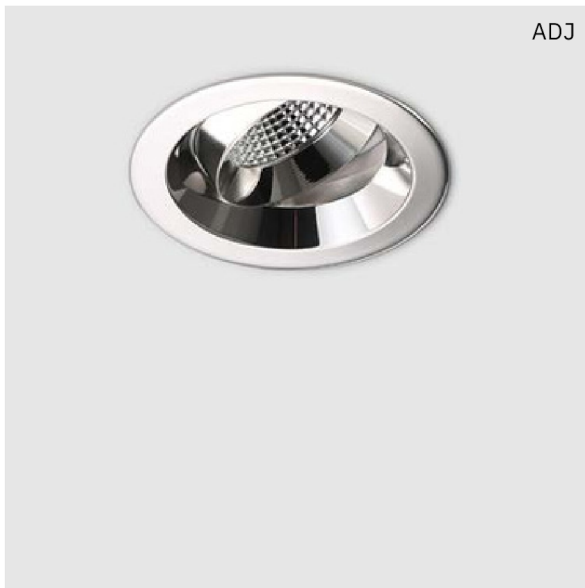


• **PHOTOMETRIC [Unit:: cd]**



• **PERFORMANCE**

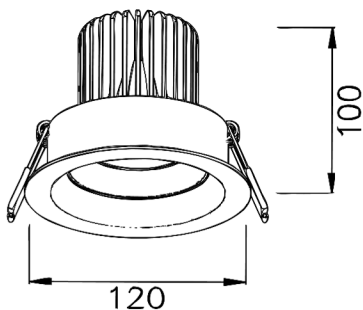
1x5W - 36V - 150mA - 578lm  
1x10W - 36V - 250mA - 1178lm  
1x15W - 36V - 350mA - 1725lm



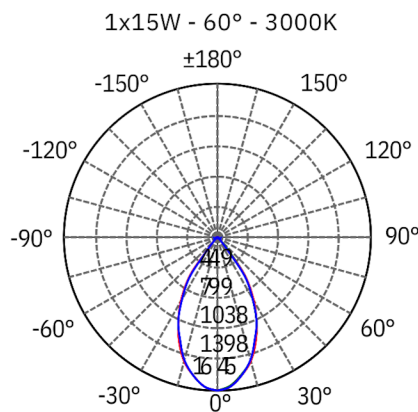
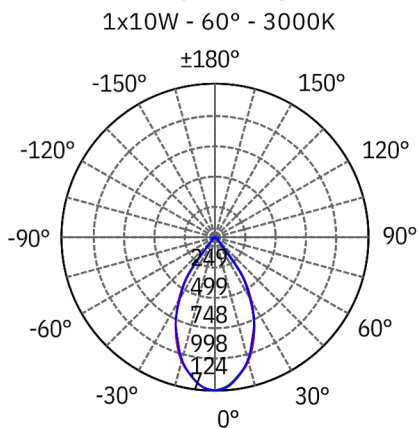
- 316L# SS housing
- 3mm toughened glass diffuser
- Cut out :  $\Phi 110-115\text{mm}$
- CE/SAA/IP20/IP65
- CREE/Bridgelux COB: 3000K/4000K/6000K/CRI $\geq 80/90$
- Beam Angle: 12°/24°/36°/60°
- Input: 220-240Vac/WT:-20~+50° C

- **CODE - IP20 COLOR**  
DLRADJSSM12151520 MIRRORED  
DLRADJSSB12151520 BRUSHED  
**POWER:** 1x10/15/18W

- **CODE - IP65 COLOR**  
DLRADJSSM12151565 MIRRORED  
DLRADJSSB12151565 BRUSHED  
**POWER:** 1x10/15/18W



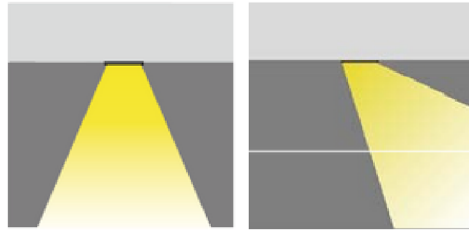
• **PHOTOMETRIC [Unit:: cd]**



• **PERFORMANCE**

- 1x10W - 36V - 250mA - 1152lm
- 1x15W - 36V - 350mA - 1725lm
- 1x18W - 36V - 450mA - 2067lm





- 316L# SS housing
- 3mm t oughened glass diffuser
- Cut out :  $\Phi 140-145\text{mm}$
- CE/SAA/IP20/IP65
- CREE/Bridgelux COB: 3000K/4000K/6000K/CRI $\geq 80/90$
- Beam Angle: 12°/24°/36°/60°
- Input: 220-240Vac/WT:-20~+50° C

• **CODE - IP20 COLOR**

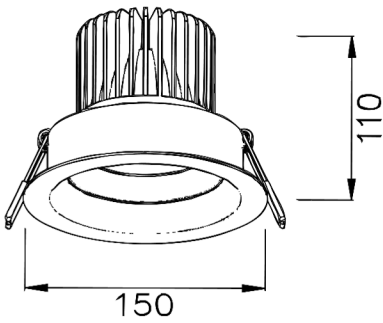
DLRADJSSM15171720 MIRRORED  
DLRADJSSB15171720 BRUSHED

POWER: 1x15/20/25W

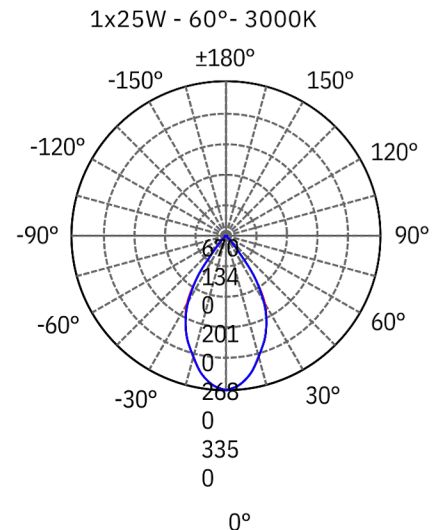
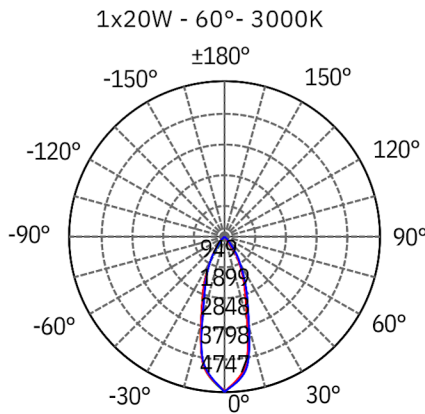
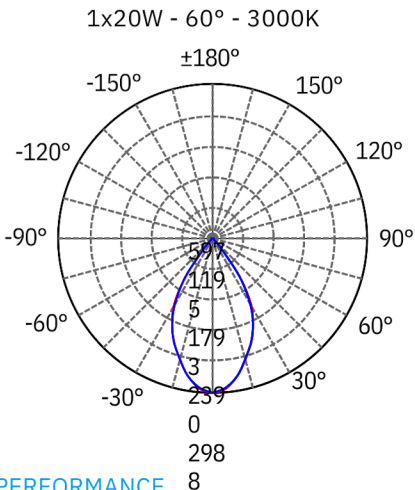
• **CODE - IP65 COLOR**

DLRADJSSM15171765 MIRRORED  
DLRADJSSB15171765 BRUSHED

POWER: 1x15/20/25W



• **PHOTOMETRIC [Unit:: cd]**



• **PERFORMANCE**

1x15W - 36V - 350mA - 1743lm  
1x20W - 36V - 500mA - 2385lm  
1x25W - 36V - 650mA - 2756lm