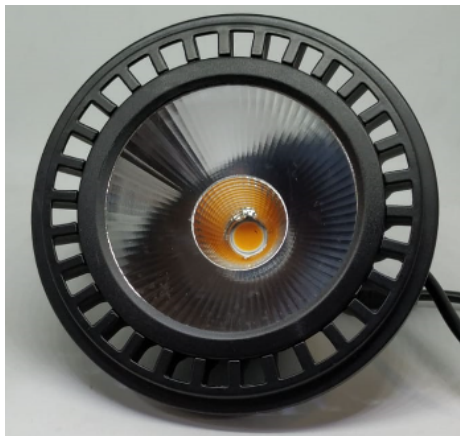
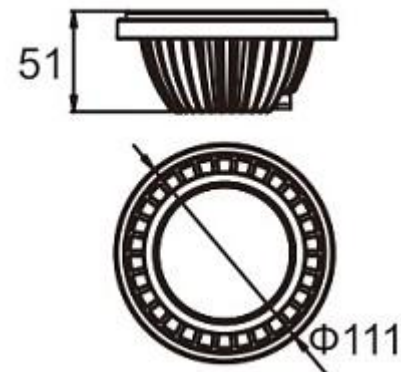


AR111 COB SPOTLIGHT

15W



Material: Aluminum die-casting body
Anti-glare high reflecting reflectors
CREE LED COB Chip, CRI>90
Eaglerise driver in clude.
Input Voltage: 220-240V 50/60Hz
Wattage: 15W
Light Efficiency: 90lm/W
Size: D111xH51mm



Model	Wattage	Voltage	Material	Size
SLBLP/AR111/A	15W	220-240V	Die-cast aluminum	D110xH51mm