

Modules **New Trend Products**



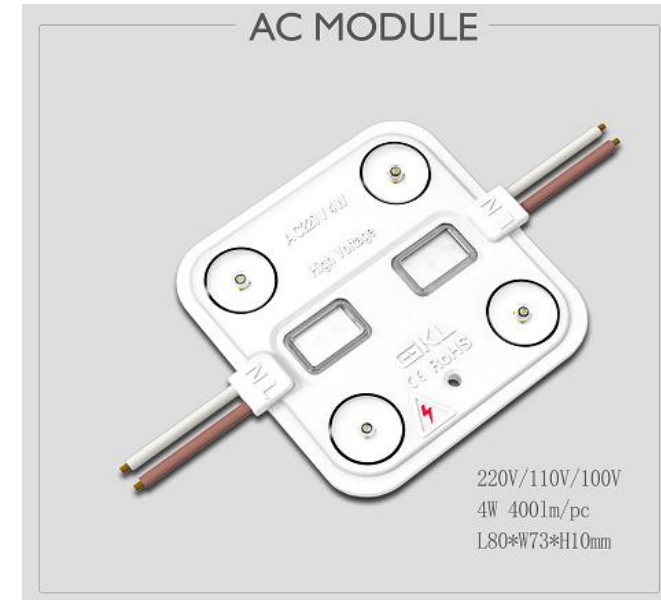
Signage



Modules **New Trend Products – AC100/AC220V**

Depth:6CM-30CM

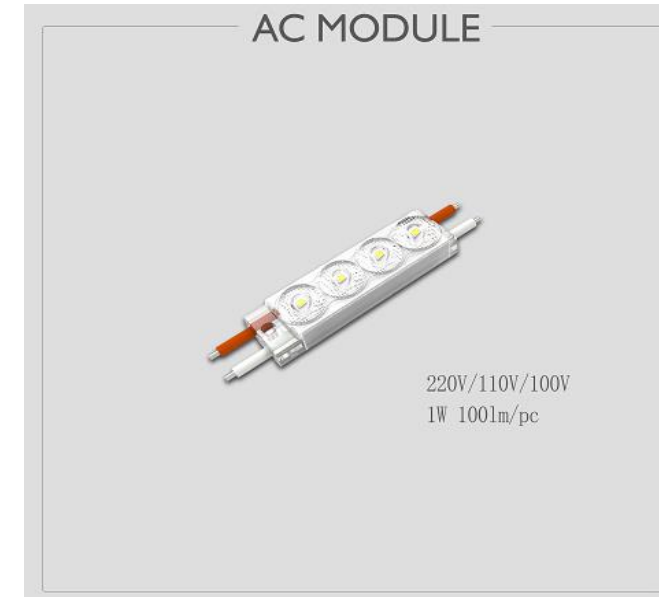
Input Voltage	AC220V/AC100V
Watts	4W/mod
Luminous Efficacy	85lm/W
Beam Angle	170°
BIN:	5SDCM
Modules Density	
Back Tape	3M tape
Waterproof Grade	IP67
Operating Temp.	-40° ~ +60 ° C / -13° ~ +140 ° F
Storage Temp.	-40° ~ -70 ° C / -13° ~ +158 ° F
Cascade	50 mods single-ended power feed 100 mods double-ended power feed



Modules **New Trend Products – AC100/AC220V**

Depth:6CM-20CM

Input Voltage	AC220V/AC100V
Watts	1W/mod
Luminous Efficacy	85lm/W
Beam Angle	170°
BIN:	5SDCM
Modules Density	
Back Tape	3M tape
Waterproof Grade	IP67
Operating Temp.	-40° ~ +60 ° C / -13° ~ +140 ° F
Storage Temp.	-40° ~ -70 ° C / -13° ~ +158 ° F
Cascade	50 mods single-ended power feed 100 mods double-ended power feed



Modules **New Trend Products – DC/IP68**

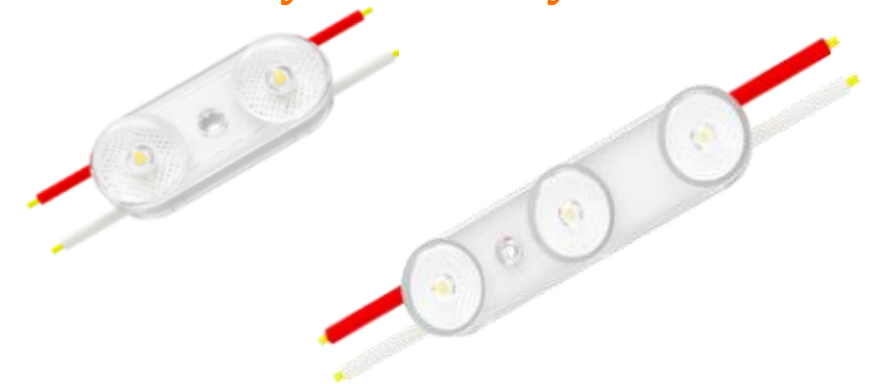
Depth:6CM-30CM

Input Voltage	DC12V
Watts	1.2W/mod
Luminous Efficacy	170lm/W
Beam Angle	170°
BIN:	5SDCM
Modules Density	
Back Tape	3M tape
Waterproof Grade	IP68
Operating Temp.	-40° ~ +60 ° C / -13° ~ +140 ° F
Storage Temp.	-40° ~ -70 ° C / -13° ~ +158 ° F
Cascade	50 mods single-ended power feed 100 mods double-ended power feed

High Efficiency



Series of 2 eyes and 3 eyes module



Modules New Trend Products – DC/IP68

Input Voltage	DC12V
Watts	0.8W/mod
Luminous Efficacy	170lm/W
Beam Angle	170°
BIN:	3SDCM
Modules Density	
Back Tape	3M tape
Waterproof Grade	IP68
Operating Temp.	-40° ~ +60 ° C / -13° ~ +140 ° F
Storage Temp.	-40° ~ -70 ° C / -13° ~ +158 ° F
Cascade	50 mods single-ended power feed
	100 mods double-ended power feed

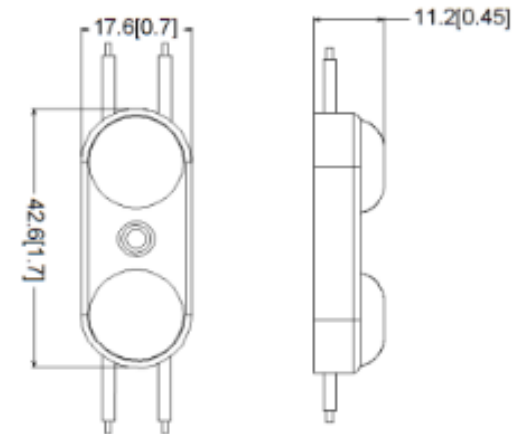
High Efficiency

Depth:5CM-20CM



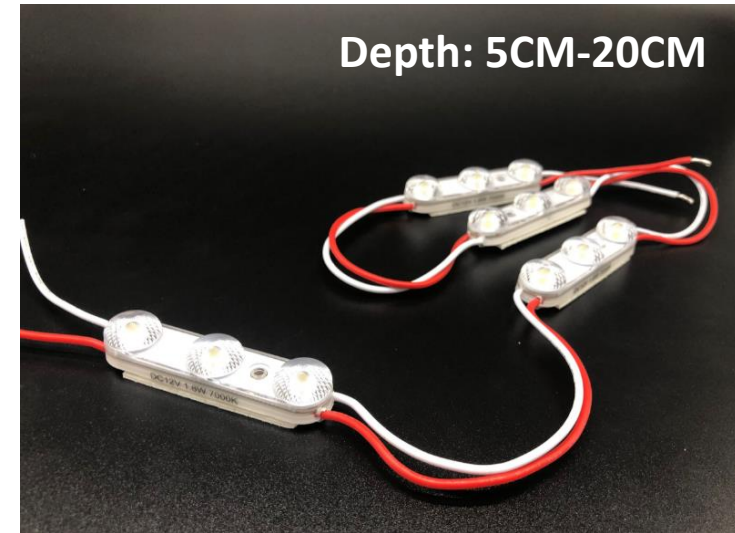
Profile Drawings

Unit: mm[Inch]



Modules **New Trend Products – DC/IP68**

Input Voltage	DC12V
Watts	1.2W/mod
Luminous Efficacy	120lm/W
Beam Angle	170°
BIN:	3SDCM
Modules Density	
Back Tape	3M tape
Waterproof Grade	IP68
Operating Temp.	-40° ~ +60 ° C / -13° ~ +140 ° F
Storage Temp.	-40° ~ -70 ° C / -13° ~ +158 ° F
Cascade	50 mods single-ended power feed 100 mods double-ended power feed



Modules New Trend Products – Apex Series MINI

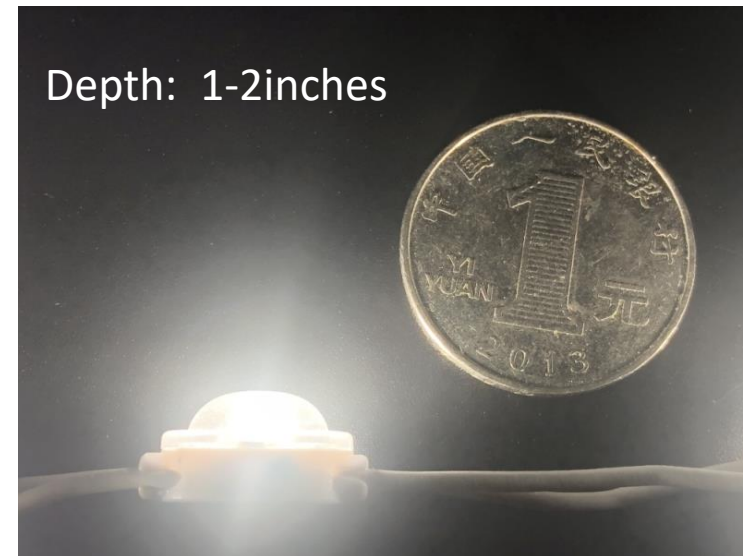
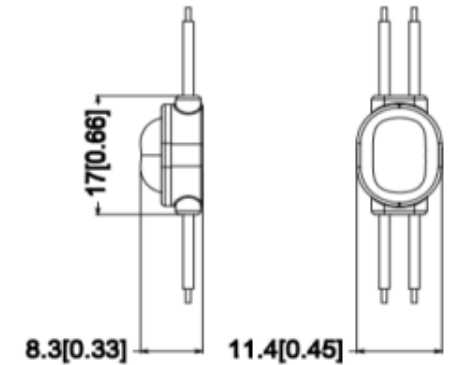
Input Voltage	DC12V
Watts	0.36W/mod
Luminous Efficacy	150lm/W
Beam Angle	130*170°
BIN:	5SDCM
Modules Density	6pcs/ft; 20pcs/m
Back Tape	3M tape
Waterproof Grade	IP67
Operating Temp.	-40° ~ +60 ° C / -13° ~ +140 ° F
Storage Temp.	-40° ~ -70 ° C / -13° ~ +158 ° F
Cascade	50 mods single-ended power feed
	100 mods double-ended power feed

High Efficiency



Profile Drawings

Unit: mm[Inch]

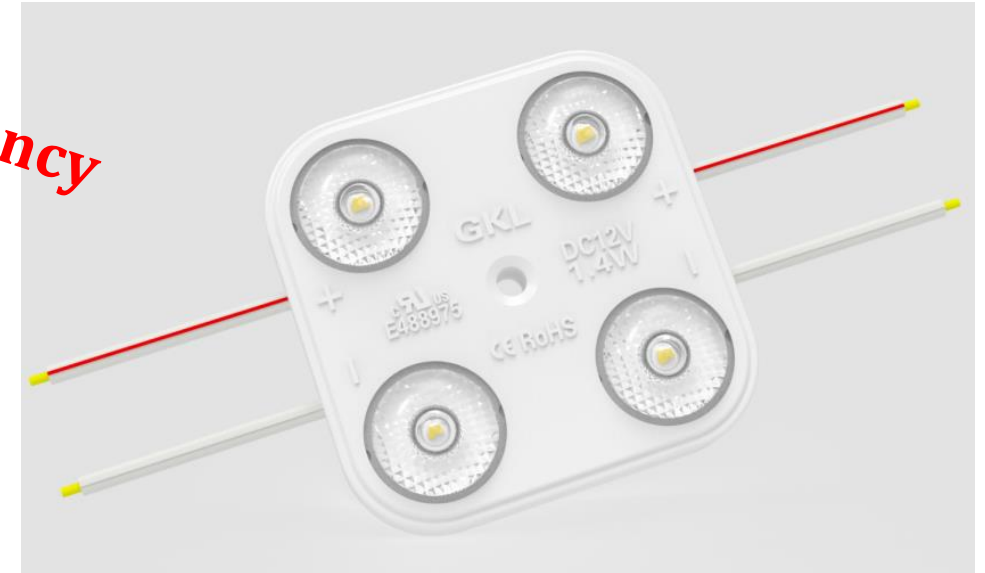


Modules **New Trend Products – DC/High Efficiency**

Depth:6CM-30CM

Input Voltage	DC12V
Watts	1.44W/mod
Luminous Efficacy	150lm/W
Beam Angle	130*170°
BIN:	5SDCM
Modules Density	
Back Tape	3M tape
Waterproof Grade	IP65
Operating Temp.	-40° ~ +60 ° C / -13° ~ +140 ° F
Storage Temp.	-40° ~ -70 ° C / -13° ~ +158 ° F
Cascade	50 mods single-ended power feed 100 mods double-ended power feed

High Efficiency

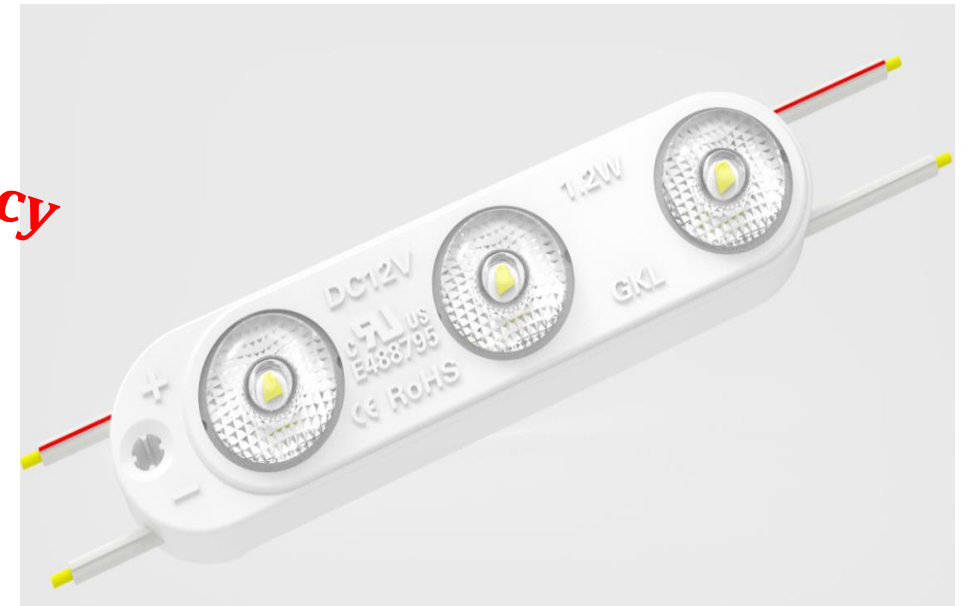


Modules **New Trend Products – DC/High Efficiency**

Depth:6CM-25CM

Input Voltage	DC12V
Watts	1.08W/mod
Luminous Efficacy	150lm/W
Beam Angle	170°
BIN:	5SDCM
Modules Density	
Back Tape	3M tape
Waterproof Grade	IP65
Operating Temp.	-40° ~ +60 ° C / -13° ~ +140 ° F
Storage Temp.	-40° ~ -70 ° C / -13° ~ +158 ° F
Cascade	50 mods single-ended power feed 100 mods double-ended power feed

High Efficiency



New Trend Products – DC12V

Input Voltage	DC12V
Watts	0.72W/mod
Luminous Efficacy	150lm/W
Beam Angle	170°
BIN:	5SDCM
Modules Density	
Back Tape	3M tape
Waterproof Grade	IP65
Operating Temp.	-40° ~ +60 ° C / -13° ~ +140 ° F
Storage Temp.	-40° ~ -70 ° C / -13° ~ +158 ° F
Cascade	50 mods single-ended power feed 100 mods double-ended power feed

High Efficiency

Depth:6CM-20CM



Modules **New Trend Products – DC/AC**

DC 12V/24V
170lm/W

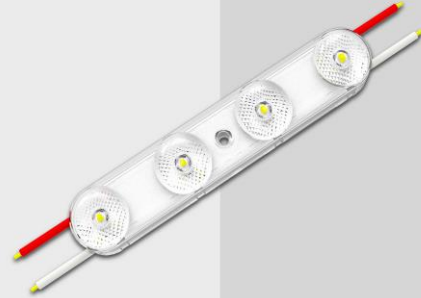
AC 220V/110V/100V
100pcs long cascade



IP68 SOLUTIONS

DC 12V/24V
170lm/W

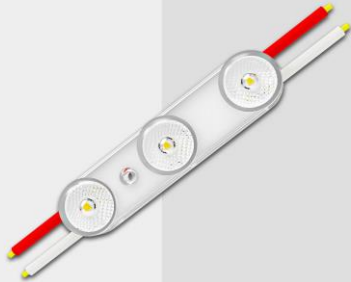
AC 220V/110V/100V
100pcs long cascade



IP68 SOLUTIONS

DC 12V/24V
170lm/W

AC 220V/110V/100V
100pcs long cascade



IP68 SOLUTIONS

MINI MODULE

Dimension: 17*11.5*8.3mm

Lighting Efficacy: 155lm/W

Beam Angle: 170°130°



More NEW...



Modules **New Trend Products – Customized**



More NEW...

