

HiWide LED Highbay Light

Version: 2.0



Description

AGC's HiWide LED highbay is simple and modern fixture with streamlined design. It provides a good solution to commercial applications.

Key Features

- High Lumen output 130lm/w
- PC reflector design / Anti-glare
- DALI and 1-10V dimmable

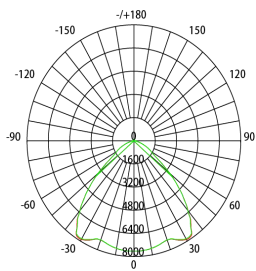
Applications

- Warehouse
- Industrial Facility
- Exhibition Center
- Shopping Mall
- Toll Station and etc.

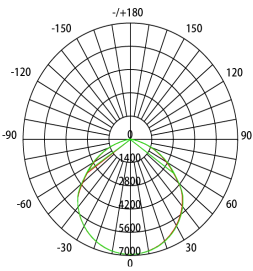
Specifications

Model No.	SLHB18-100	SLHB18-120	SLHB18-150	SLHB18-180
Power Consumption	100±5W	120±6W	150±7W	180±9W
LED Type	SMD			
Luminous Flux (±5%)	13000LM	15600LM	19500LM	23400LM
Efficacy(5000K Ra70)	130 LM/W			
Color Temperature	5000K (3000K, 4000K optional)			
Color Rendering Index	Ra70 (Ra80 optional)			
Beam Angle	H00C01A/H00B15			
Power Supply	SOSEN			
Input Voltage	100-240 VAC / 100-277 VAC			
Power Factor	≥0.92			
Frequency	50 / 60 Hz			
Surge Protection	4kV line-line, 6kV line-earth			
Driver Type	Constant Current (CC)			
Product Dimension	φ421×385mm(φ16.57"×15.16")			
Luminaire Net Weight	4.7 ± 0.3kg (10.36 ± 0.66Lbs)	4.8 ± 0.3kg (10.58 ± 0.66Lbs)	5 ± 0.3kg (11.02 ± 0.66Lbs)	
Export Carton Size	355×355×275mm(13.98"×13.98"×10.83")			
Gross Weight	5.6 ± 0.3kg(12.34 ± 0.66Lbs)	5.8 ± 0.3kg (10.78 ± 0.66Lbs)	6.0 ± 0.3kg (13.23 ± 0.66Lbs)	
Material	Housing	Aluminum Alloy		
	Optics	Tempered Glass or Polycarbonate Optical Lens		
Finish	Powder Coating			
Fixture Color	White			
IP Rating	IP65			
Mounting Option	Loop Hanging			
Operating Temperature	-30°C to + 50°C(-22°F to 122°F)			
Life Time	>50,000Hrs (Ta=30°C@L70)			
Warranty	5 Years			
Dimmable	Dimmable and Non-dimmable			
Intelligent Control	DALI Control			
Accessory	Safety Chain - 250mm chain, M8 + M8 Hook			
	Reflector - PC			
	Plug - EU/US/AU Standard Plug			

Photometry



H00C01A



H00B15

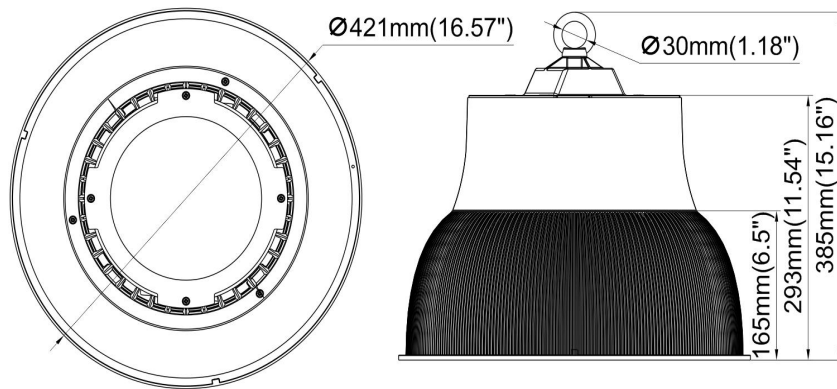
Mounting Options

Loop Hanging



Dimensions

100-200W



Accessories



PC



Safety